

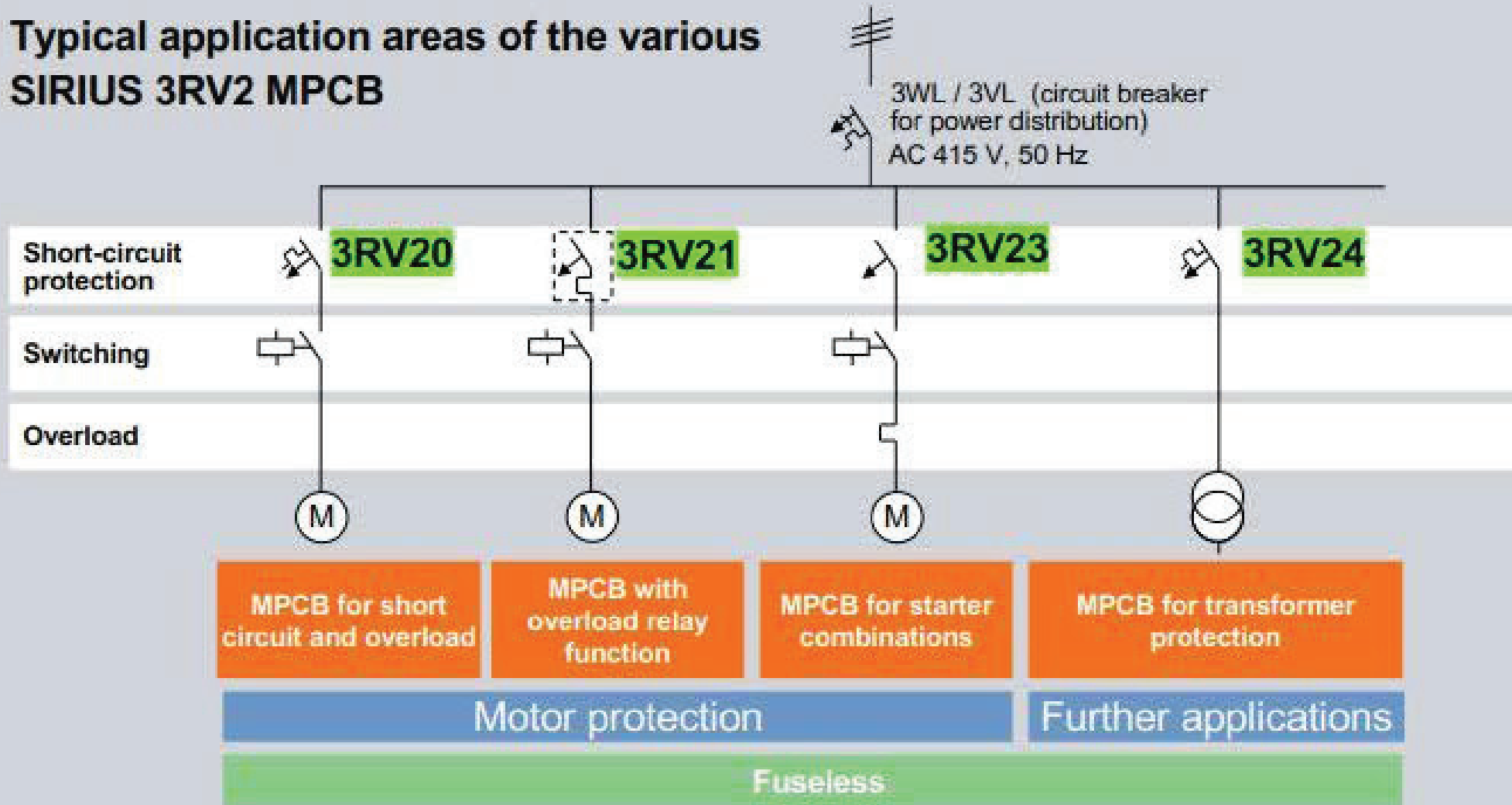
Motor Protection Circuit Breaker

SIRIUS 3RV2 Motor Protection Circuit Breaker



SIRIUS 3RV2 Motor Protection Circuit Breaker

Typical application areas of the various SIRIUS 3RV2 MPCB



SIRIUS 3RV Circuit-Breakers



S00



S0



S2



S3

Max. rated current	16 A	40 A	80 A	100 A
Width	45 mm	45 mm	55 mm	70 mm
S/C Capacity	50/100 kA	50/100 kA	50 kA	50/100 kA (selectable)
Class	10	10	10/20	10/20

Soft Starters

SIRIUS Soft Starter Portfolio

3RW30

From 1.5kW to 55kW

3RW40

From 5.5 -250kW

3RW44

From 22 -1200kW



3RW30

3RW40

3RW44

- Compact design
- Integrated bypass contact system
- Soft start
- Innovative 2-phase “Polarity Balancing” operation

Communication Capable

Inside Delta connection possible

PCB Conformal coated

Adjustable trip class up to Class 30



Adding Values to Work

An ISO 27001:2013 Certified Company

Network Techlab (I) Pvt. Ltd.

41, Sarvodaya Industrial Estate, Opp. Paper Box, Off. Mahakali Caves Road, Andheri East, Mumbai - 400093, India.

Tel: 022-6681 4101 | Email: info@netlabindia.com | Web: www.netlabindia.com

Our Presence: Mumbai | Navi Mumbai | Ahmedabad | Vadodara | Vapi | Pune | Bangalore | Chennai | Goa | Delhi